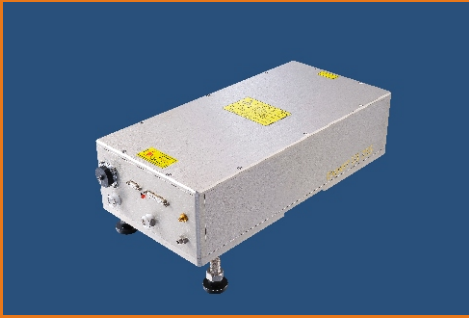


NANO UV LASER

Expert III 355 series 10W-15W UV Laser



Expert III 355 series UV DPSS laser, developed and produced by RFH, covers 10w-15w in laser power with short pulse width ($<20\text{ns}@40\text{K}$), superior beam quality ($M^2 < 1.2$) and perfect laser spot quality (beam circularity $> 90\%$).



FEATURES

- Laser wavelength at 354.7nm, repetition rates cover a wide range(single pulse to 200kHz) ; laser power ranging from 10w-15w ;
- Exceptional beam quality ($M^2 < 1.2$) , absolutely assured in all repetition rates; relatively short pulse width $< 20\text{ns}$ @40K with little heat transfer to surrounding material; perfect beam spot quality(Beam Circularity $> 90\%$);
- Unique Q-switching technology, adapts a variety of control requirements of laser applications;
- Online refreshment for harmonic coupling technology; Excellent long term power stability;
- Digital control technology for the driver, enables user to command through RS232;
- This laser adopts one - style design with compact and reasonable structure, easy installation.

PARAMETER

PARAMETER	INDEX	DESCRIPTION
Laser wavelength	355nm	
Average Output Power	10.0/12.0/15.0W	@40kHz
Pulse Width	<20ns	@40kHz
Pulse Repetition Rate	10-200kHz	
Spatial Mode	TEM00	
M^2	<1.2	
Beam Diameter	0.8±0.1mm	Measured at window
Beam Full Divergence Angle	<2.0mrad	
Beam Circularity	>90%	
Pulse-to-Pulse Stability	<3%	RMS/@30KHz
Average Power Stability	<5%	RMS/8hr
Beam-Pointing Drift	<25μrad/°C	
Polarization Ratio	>100:1	
Polarization Orientation	Horizontal	
Operating Temp. & RH	10°C to 35°C	
	<80%	
Storage Temp. & RH	10°C to 35°C	
	<90%	
Electricity Requirement	100-240VAC	单相Single phase
	50/60Hz	
Power Consumption	<800W	
Warranty	18 months	

Laser power and other characteristics can be optimized in different repetition frequency ranges ;
The temperature referred to is the ambient temperature.

Application

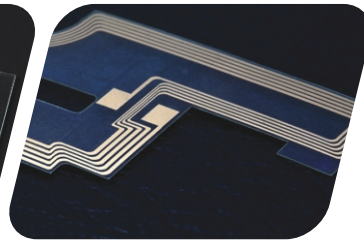
It is widely used in PE/PCB/FPC cutting, glass & sapphire cutting, drilling, scribing & cutting used in high precision micromaching areas.



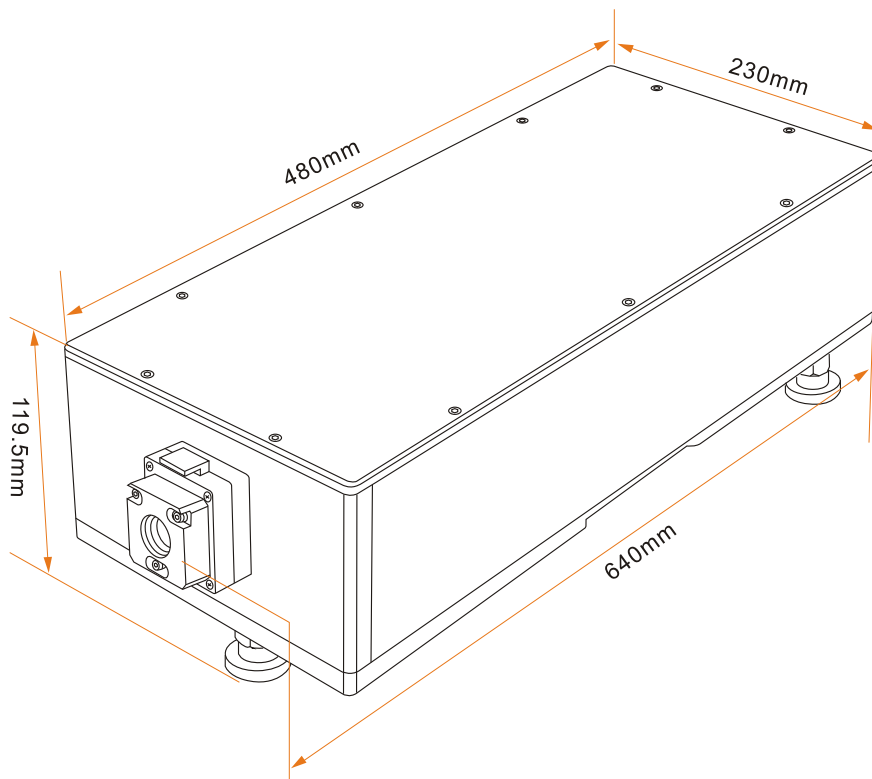
Marking on non-metal Materials



Glass



FPC Cutting



SHENZHEN RFH LASER TECHNOLOGY CO., LTD.

Add: 2nd Floor, Building M10, Central District, High-tech Industrial Park, Nanshan District, Shenzhen

Tel: +86-755-86375012 Fax: +86-755-86028961

Email: sales@rfhlasertech.com [Http://www.rfhlasertech.com](http://www.rfhlasertech.com)

Service Hotline: +86-755-86375012